

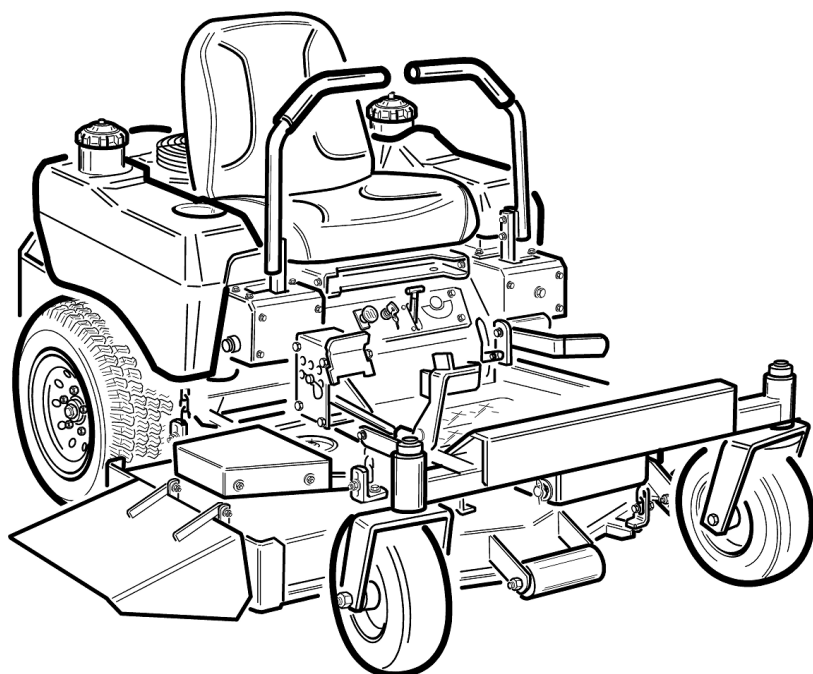
Inhoudsopgave

Bedienings Handels	14
Elektrische Delen	26
Frame	6
Maaier & Aandrijving	4
Motor & Aandrijving	10
Stickers	28
Tank	24
Wiel Aandrijvingen	12
Wielen	22



Gianni Ferrari

SRZ 151



CATALOGO PARTI DI RICAMBIO

CATALOGUE PIECES DETACHEES

SPARE PARTS CATALOGUE

TERSATZTEILKATALOG



COMPOSIZIONE CODICE D'ORDINE

NUMERO DI MATRICOLA ALFANUMERICO DEL TELAIO + CODICE PARTICOLARE DI RICAMBIO

COMPOSITION OF THE ORDER CODE

ALPHANUMERICAL SERIAL NUMBER OF THE FRAME + CODE NUMBER OF THE SPARE PART

COMPOSITION DU CODE DE L'ORDRE

NUMÉRO DE SÉRIE ALPHANUMÉRIQUE DU CHÂSSIS + CODE AU PIÈCE DE RECHANGE

AUFBAU DES BESTELLKODS

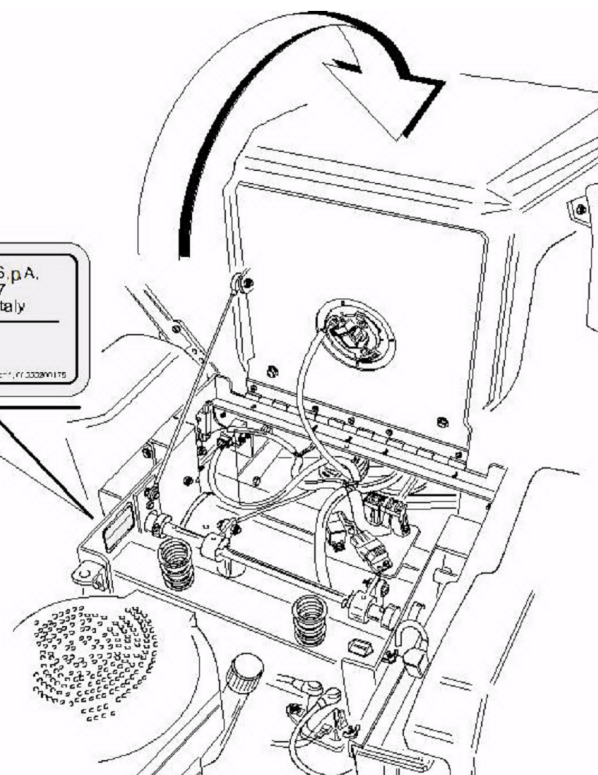
ALPHANUMERISCHE SERIENNUMMER DES GERÜSTES + HINWEIS AUF DAS ZUSATZSTÜCK

NUMERO DI MATRICOLA CATALOGO

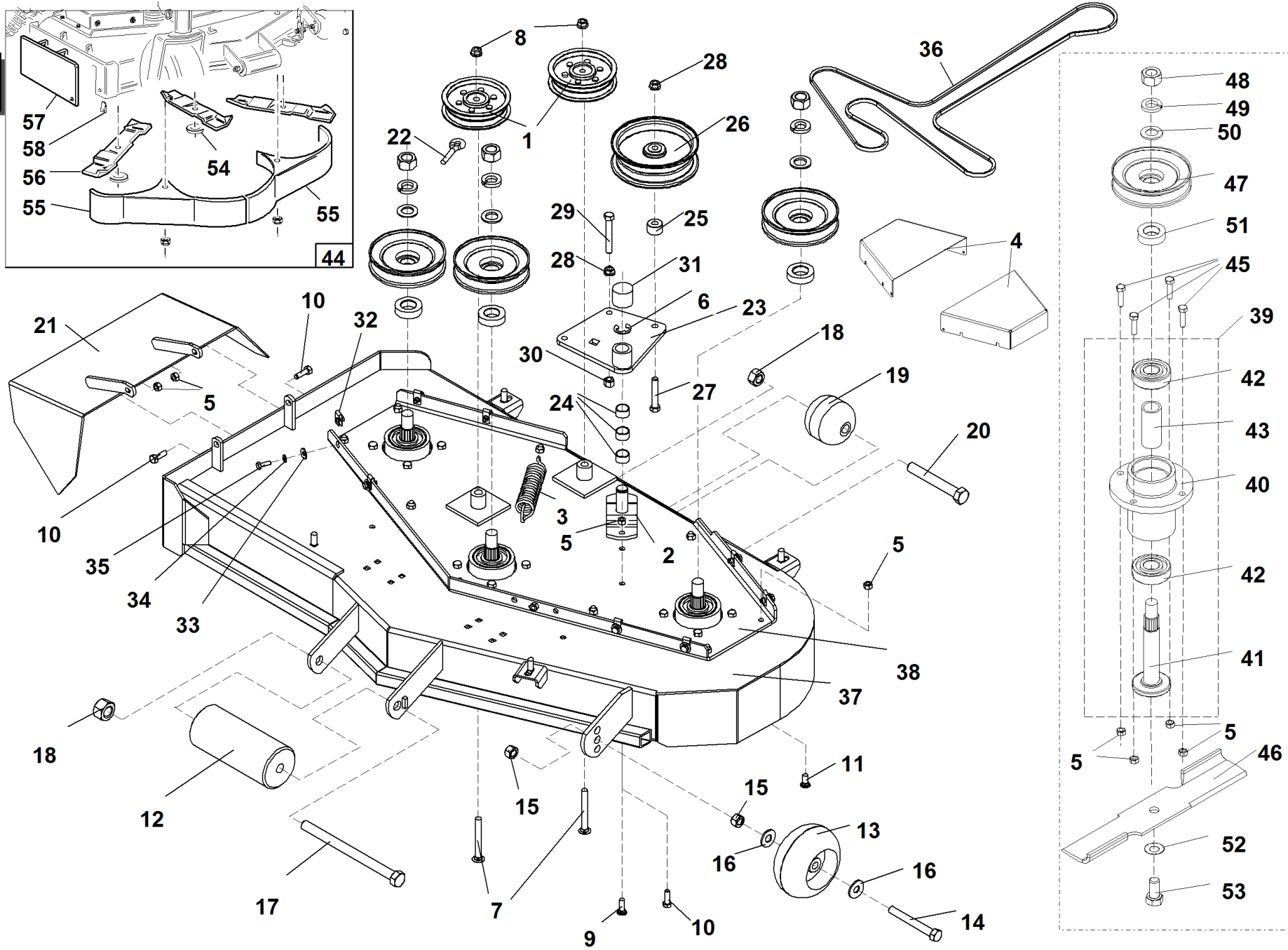
NUMERO DI MATRICOLA ALFANUMERICO DEL TELAIO
ALPHANUMERICAL SERIAL NUMBER OF THE FRAME
NUMÉRO DE SÉRIE ALPHANUMÉRIQUE DU CHÂSSIS
ALPHANUMERISCHE SERIENNUMMER DES GERÜSTES

99999999X99

OFFICINE BIEFFEBI S.p.A.
Via dell'Artigianato, 7
49023 Gonzaga (MN) Italy
SERIAL NUMBER
0000000000
© 1999, 07.03.2000/1175



SRZ 151



#

P/N

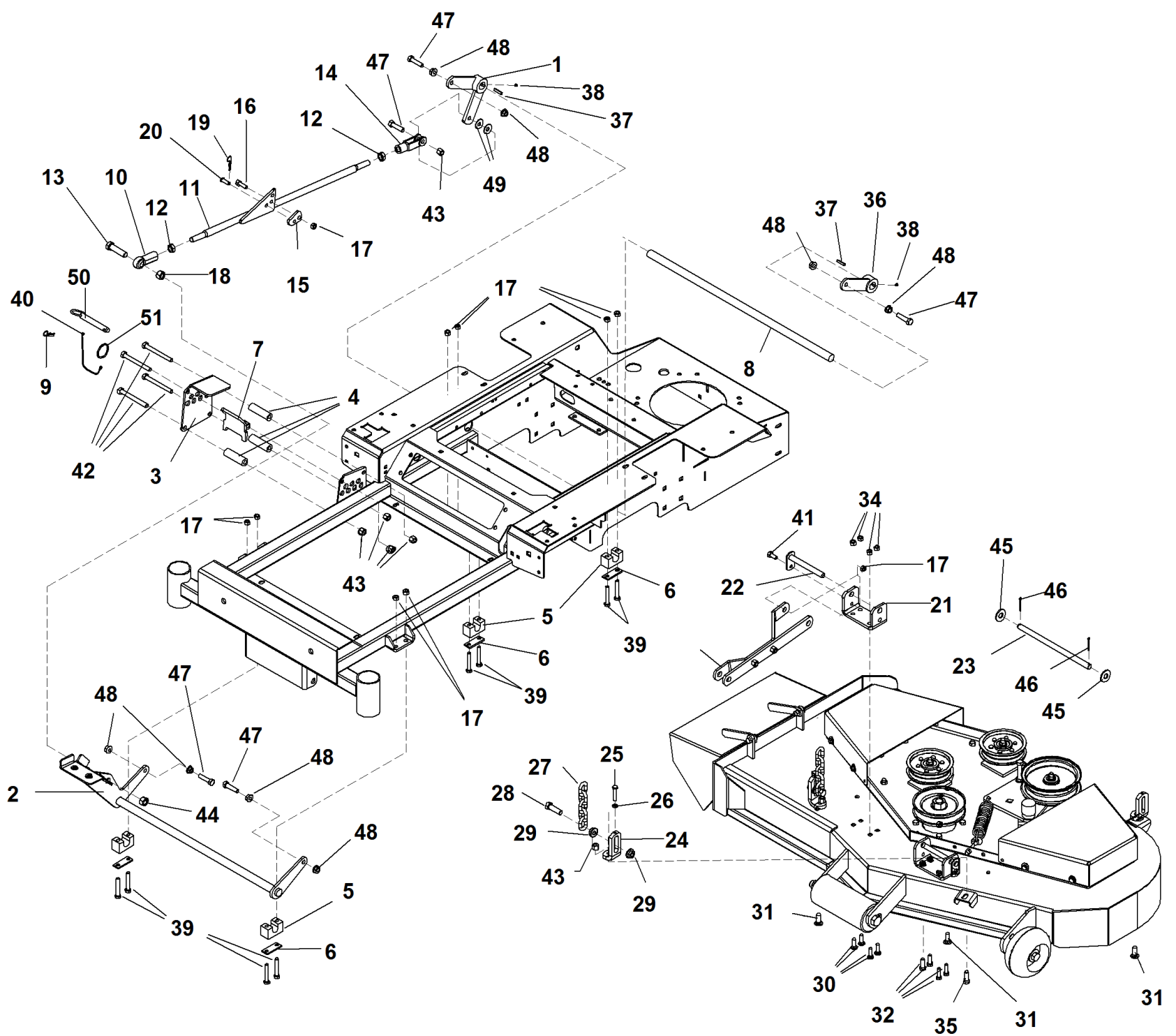
DESCRIPTION

SRZ 151

REF. 01-00555992301

1	93400523329	SRZ170/190 IDLER PULLEY
2	93900522104	OFFSET PIVOT WELDMENT-PLATED
3	93900523327	SRZ170-190 FLOATING IDLER SPRING
4	93500643042	
5	93900104256	5/16-18 HEX NYLOC NUT
6	93900108509	E-RING 3/4 DIA.
7	93900107506	3/8-16 X 3-1/4 CARR. BOLT
8	93900109007	3/8-16 WHIZLOCK NUT
9	93900107509	5/16-18 X 1 CARR. BOLT
10	93900100273	SCREW 5/16-18 X 1 HHCS
11	93900107503	5/16-18 X 3/4 CARR. BOLT
12	93900603023	ANTI SCALP ROLLER
13	93900423023	DECK ROLLER
14	93900100335	SCREW 1/2-13 X 4 HHCS
15	93900104509	1/2-13 REG HEX NUT
16	93900105264	1/2 STD FLAT WASHER
17	93900100351	SCREW 5/8-11 X 8-1/2 HHCS
18	93900104261	5/8-11 HEX NYLOC NUT
19	93900523084	REAR DECK ROLLER
20	93900100346	SCREW 5/8-11 X 4-1/2 HHCS
21	93500642094	
22	93900363080	EYEBOLT-RIGHT
23	93500352045	
24	93900363089	ENGAGEMENT-BUSH
25	93500823309	
26	93400533114	SRZ170/190 TENSION. PULL.-BLADE BELT
27	93900100297	SCREW 3/8-16 X 2-1/4 HHCS
28	93900109007	3/8-16 WHIZLOCK NUT
29	93500100299	SCREW 3/8-16 X 2-3/4 HHCS
30	93900104257	3/8-16 HEX NYLOC NUT
31	93900103009	CAP 1-1/4
32	93900109015	1/4-20 NUT CLIP
33	93900105256	1/4 STD FLAT WASHER
34	93900105004	1/4 LOCKWASHER-HEAVY
35	93900100252	SCREW 1/4-20 X 3/4 HHCS
36	93500353114	SRZ 151 BLADE DRIVE BELT
37	93500642103	
38	93500642104	
39	93100583106	SRZ SPINDLE ASSY COMP.
40	93900583111	SPINDLE HOUSING
41	93900583112	SPINDLE SHAFT
42	93100363350	SPINDLE BEARING
43	93100583113	SRZ BEARING SPACER
44	93500642048	
45	93900100274	SCREW 5/16-18 X 1-1/4 HHTB
46	93500423029	"SRZ 151 MOWER DECK BLADE 14.25""
47	93400423262	SRZ170 BLADE SPINDLE PULLEY
48	93900104511	3/4-16 UNF REG HEX NUT
49	93900105010	3/4 LOCKWASHER
50	93900105269	3/4 SAE FLAT WASHER
51	93900583110	PULLEY SPACER
52	93500583108	
53	93500100355	
54	93101000003	WASHER 5/8
55	93900422072	MULCH BAFFLE WLDMT - PAINTED
56	93101000002	"SRZ150/170 MULCHING BLADE 14.25""
57	93900482035	MULCH COVER WELDMENT PAINTED
58	93900363297	SELF FORMING CLIP

SRZ 151



#

P/N

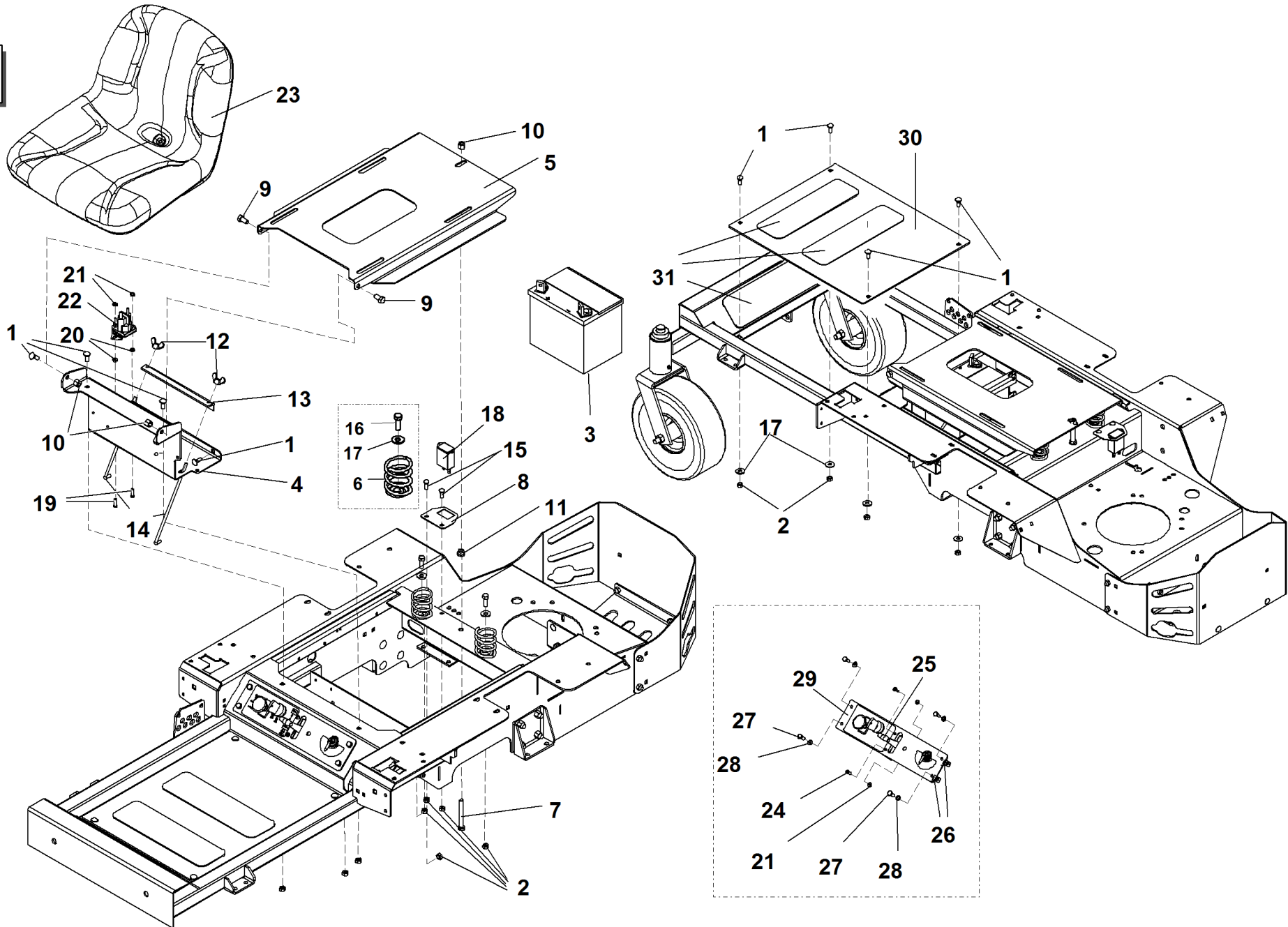
DESCRIPTION

SRZ 151

REF. 02-00555992302

1	93500352010	
2	93500352014	
3	93500643083	
4	93500353040	CUTTINTG HEIGHT SPACER
5	93500353028	
6	93500353047	
7	93500352018	
8	93900533010	"25"" FRONT DECK LIFT SHAFT"
9	93500153025	
10	93900533084	"1/2"" ROD END"
11	93500352028	CONNECTION ROD
12	93900104755	1/2-20 HEX JAM NUT
13	93500100329	SCREW 1/2-13 X 2 HHCS
14	93900533083	"1/2"" CLEVIS"
15	93500353038	CUTTING HEIGHT REGULATION TONGUE
16	93900100273	SCREW 5/16-18 X 1 HHCS
17	93900104256	5/16-18 HEX NYLOC NUT
18	93900104509	1/2-13 REG HEX NUT
19	93900363165	#3 ISSCO HAIRPIN COTTER (#2)
20	93500363144	"PIN 5/16""
21	93500643084	
22	93500352032	REAR PIN
23	93500353110	
24	93900533112	CHAIN FIXING BRACKET
25	93500100006	SCREW 1/4-20 X 1.5 HH
26	93900104758	1/4-20 HEX JAM NUT
27	93900423359	FRONT CHAIN (5 LINKS)
28	93900100311	SCREW 7/16-14 X 1-1/2 HHCS
29	93900109027	7/16-14 WHIZLOCK NUT
30	93900107509	5/16-18 X 1 CARR. BOLT
31	93500107526	"SQUARE BOLT 1/4-20 X 3/4""
32	93900100273	SCREW 5/16-18 X 1 HHCS
33	93900423360	REAR CHAIN (7 LINKS)
34	93900104256	5/16-18 HEX NYLOC NUT
35	93900100292	SCREW 3/8-16 X 1 HHCS
36	93500352012	
37	93900107255	3/16 X 3/16 X 1 MACH KEY
38	93900103292	GRUB 1/4-28 X 1/4 KCP-SS
39	93900100277	SCREW 5/16-18 X 2 HHCS
40	93900123012	SAFETY CHAIN
41	93900100271	SCREW 5/16-18 X 3/4 HHCS
42	93900100302	SCREW 3/8-16 X 3-1/2 HHCS
43	93900104257	3/8-16 HEX NYLOC NUT
44	93900104259	1/2-13 HEX NYLOC NUT
45	93900105264	1/2 STD FLAT WASHER
46	93900106763	1/8 X 1-1/4 COTTER PIN
47	93900100294	SCREW 3/8-16 X 1-1/2 HHCS
48	93900109007	3/8-16 WHIZLOCK NUT
49	93900105260	3/8 STD FLAT WASHER
50	93500353153	"PIN 1/2"" X 3"
51	93900109002	SPLIT RING

SRZ 151



#

P/N

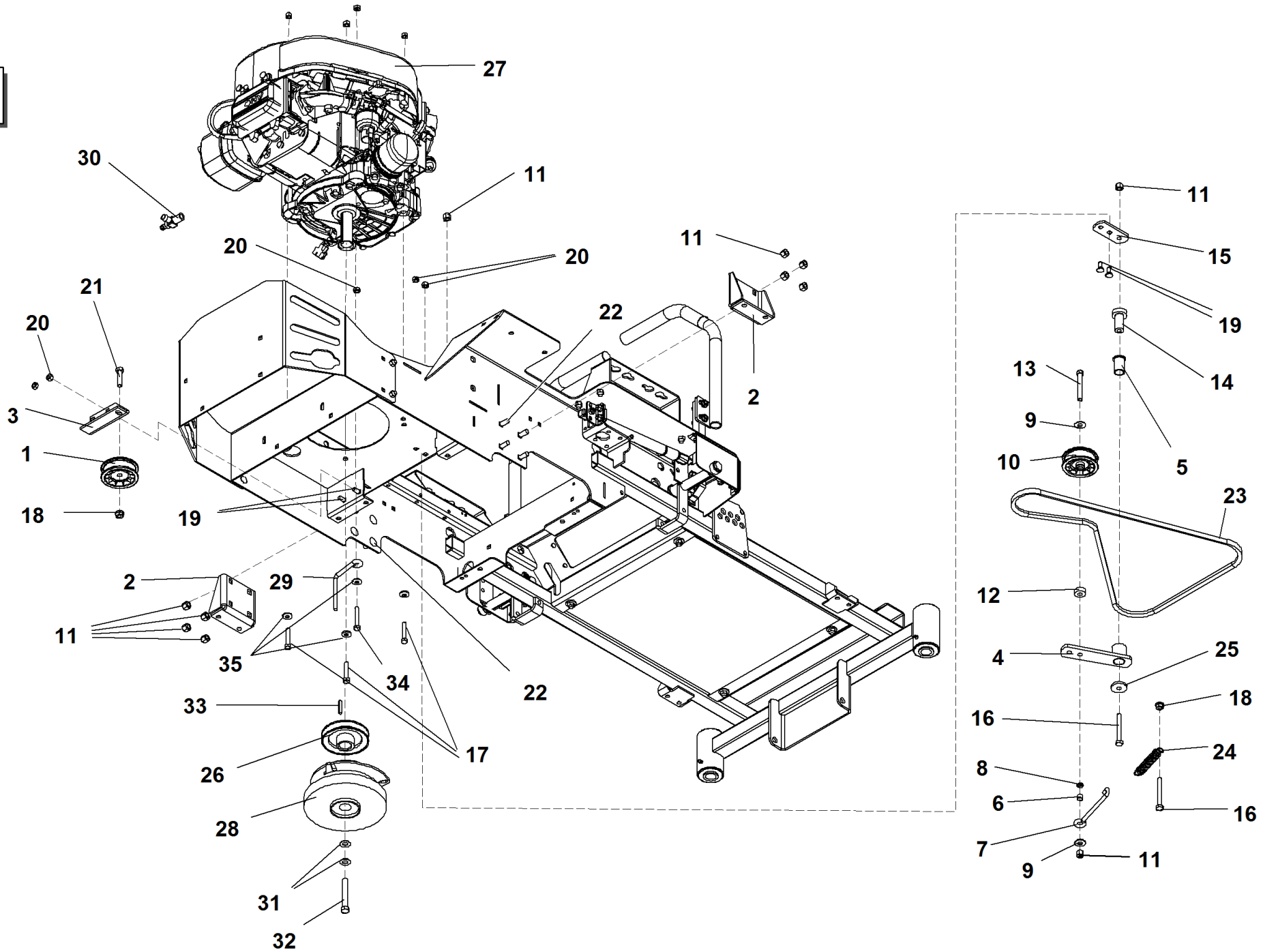
DESCRIPTION

SRZ 151

REF. 03-00555992303

1	93900107503	5/16-18 X 3/4 CARR. BOLT
2	93900104256	5/16-18 HEX NYLOC NUT
3	93900423142	BATTERY 12V
4	93500353011	
5	93500353015	
6	93900523278	SEAT SPRING
7	93900100030	SCREW 3/8-16 X 3 HHTB
8	93500353083	
9	93900100291	SCREW 3/8-16 X 3/4 HHCS
10	93900104257	3/8-16 HEX NYLOC NUT
11	93900109007	3/8-16 WHIZLOCK NUT
12	93900109012	1/4 WING NUT
13	93900423011	HOLDDOWN ANGLE - PAINTED
14	93900423172	BATTERY HOLD DOWN ROD - PLATED
15	93900107502	1/4-20 X 3/4 CARR. BOLT
16	93900100273	SCREW 5/16-18 X 1 HHCS
17	93900105258	5/16 STD FLAT WASHER
18	93100523283	SRZ HOUR METER
19	93500109009	SCREW 10-24 X 75 HHS
20	93500109006	NUT M10
21	93900104252	#10-24 HEX NYLOC NUT
22	93100422150	SRZ STARTER RELAY
23	93500353098	
24	93900101039	SCREW #10-24 X 5/8 MACH
25	93100363352	SRZ THROTTLE CABLE
26	93900109015	1/4-20 NUT CLIP
27	93900100252	SCREW 1/4-20 X 3/4 HHCS
28	93900105004	1/4 LOCKWASHER-HEAVY
29	93500353177	
30	93500353079	
31	93900423302	Z-STEP TREAD

SRZ 151



#

P/N

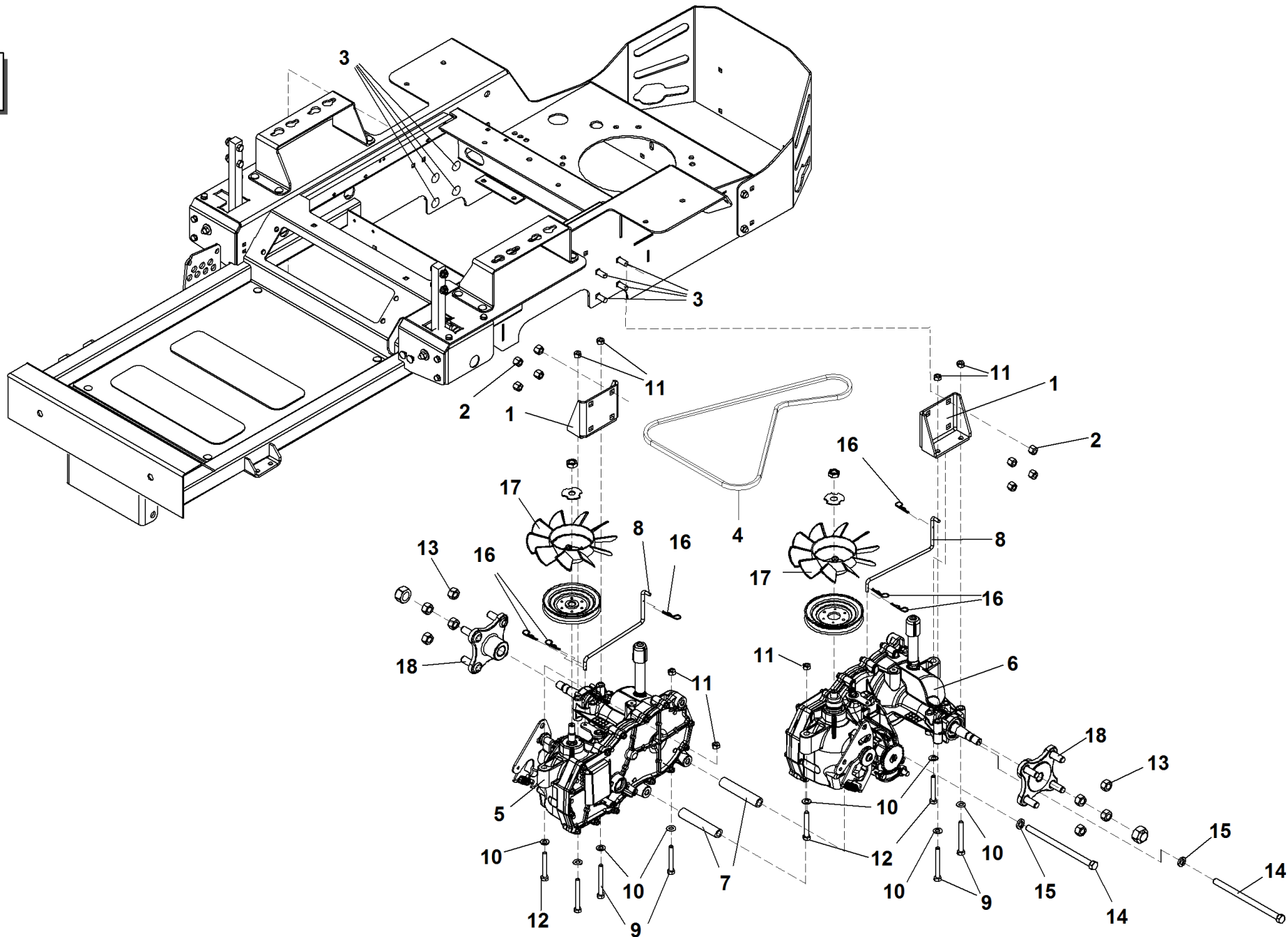
DESCRIPTION

SRZ 151

REF. 04-00555992304

1	93300823351	SRZ270D PUMP IDLER PULLEY
2	93500352026	
3	93500353087	PULLEY SUPPORT
4	93900422025	TENSIONER W/BUSHING
5	93900523111	3/4 FLANGE BUSHING
6	93900363174	EYEBOLT SPACER
7	93900423122	PUMP TENSION ROD
8	93900105005	5/16 LOCKWASHER-HEAVY
9	93900105260	3/8 STD FLAT WASHER
10	93300823351	SRZ270D PUMP IDLER PULLEY
11	93900104257	3/8-16 HEX NYLOC NUT
12	93900483017	RH IDLER SPACER
13	93500100299	SCREW 3/8-16 X 2-3/4 HHCS
14	93900423175	PUMP IDLER PIVOT - FINISHED
15	93500353089	SRZ 151 GUIDE
16	93900100300	SCREW 3/8-16 X 3 HHCS
17	93900100276	SCREW 5/16-18 X 1-3/4 HHCS
18	93900109007	3/8-16 WHIZLOCK NUT
19	93900107503	5/16-18 X 3/4 CARR. BOLT
20	93900104256	5/16-18 HEX NYLOC NUT
21	93900100294	SCREW 3/8-16 X 1-1/2 HHCS
22	93500107526	"SQUARE BOLT 1/4-20 X 3/4""
23	93500353112	SRZ 151 PUMP DRIVE BELT
24	93900553007	IDLER SPRING
25	93900373089	RETAINING WASHER
26	93500353101	
27	00777700029	
28	93400423285	SRZ170/190 ELECTRIC CLUTCH
29	93900373070	BELT GUIDE-LONG
30	93500423406	OIL 3/8 DRAINING VALVE
31	93900423069	SPRING DISC.- 7/16
32	93900100536	SCREW 7/16-20 X 3 HHCS
33	93500107260	TONGUE 1/4 X 1/4 X 1.25
34	93900100277	SCREW 5/16-18 X 2 HHCS
35	93900363226	5/16 DISC SPRING

SRZ 151



#

P/N

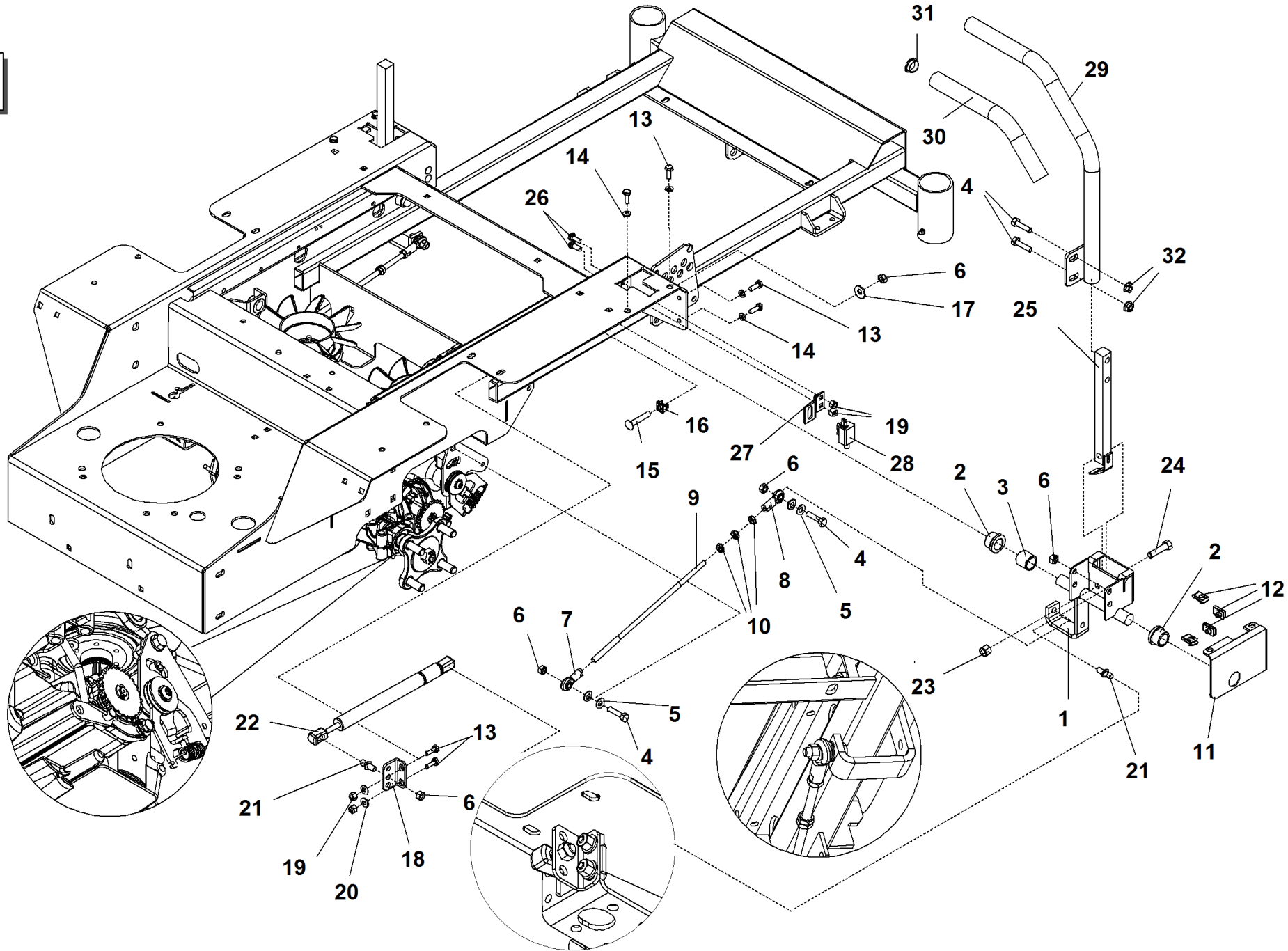
DESCRIPTION

SRZ 151

REF. 05-00555992305

1	93500353013			
2	93900104257	3/8-16 HEX NYLOC NUT		
3	93500107526	"SQUARE BOLT 1/4-20 X 3/4""		
4	93500353112	SRZ 151 PUMP DRIVE BELT		
5	93500353127	SRZ151 RIGHT WHEEL MOTOR GROUP		
6	93500353128	SRZ151 LEFT WHEEL MOTOR GROUP		
7	93500353118	HOSE		
8	93500353091	BY PASS ROD		
9	93500100280	SCREW 5/16-18 X 2-1/2 HHCS		
10	93900105257	5/16 SAE FLAT WASHER		
11	93900104256	5/16-18 HEX NYLOC NUT		
12	93500100278	SCREW 5/16-18 X 2-1/2 HHCS		
13	93900103023	1/2-20 X 60 T LUG NUT		
14	93500100321	SCREW 7/16-14 X 7.0 HHCS		
15	93500105007	"7/16"" WASHER"		
16	93900363165	#3 ISSCO HAIRPIN COTTER (#2)		
17	93500353189			
18	93500353190	REAR WHEEL HUB		

SRZ 151



#

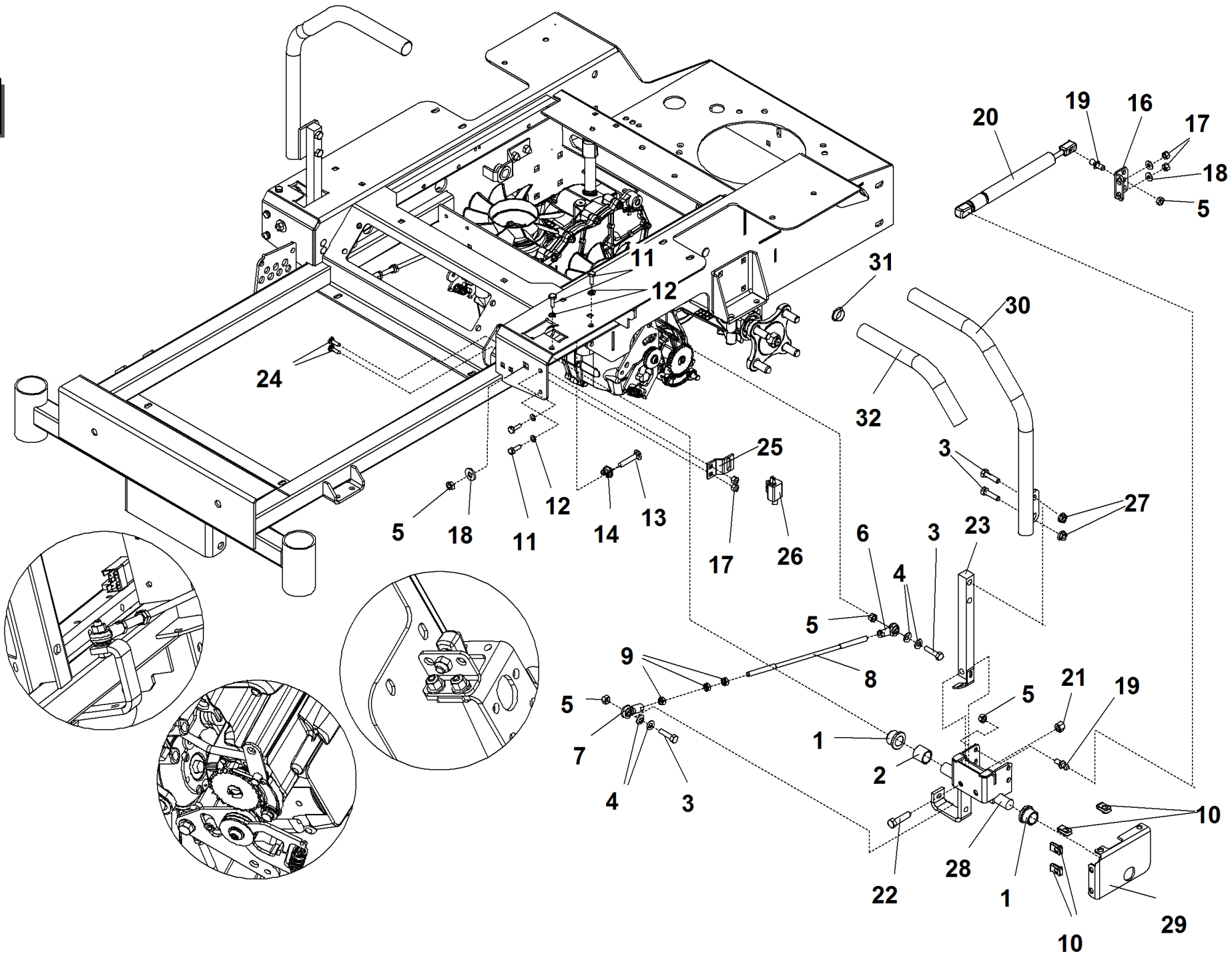
P/N

DESCRIPTION

SRZ 151

REF. 06-00555992306

1	93500352004			
2	93500353018	"BUSHING 3/4""		
3	93500353024	ADVANCEMENT SPACER		
4	93900100274	SCREW 5/16-18 X 1-1/4 HHTB		
5	93900105257	5/16 SAE FLAT WASHER		
6	93900104256	5/16-18 HEX NYLOC NUT		
7	93500623095	"RIGHT EYELET 5/16""		
8	93900453081	.312 ROD END (F)		
9	93500353093			
10	93900104752	5/16-24 HEX JAM NUT		
11	93500643078			
12	93900109015	1/4-20 NUT CLIP		
13	93900100252	SCREW 1/4-20 X 3/4 HHCS		
14	93900105004	1/4 LOCKWASHER-HEAVY		
15	93500107520	SCREW 5/16-18 X 1-3/4		
16	93500353151	STUD BOLT 5/16- 18		
17	93900105258	5/16 STD FLAT WASHER		
18	93500353143			
19	93900104255	1/4-20 HEX NYLOC NUT		
20	93500105255	"WASHER SAE 1/4""		
21	93900823221	10MM BALL STUD		
22	93900583415	DAMPENER/CONTROL		
23	93900104257	3/8-16 HEX NYLOC NUT		
24	93900100294	SCREW 3/8-16 X 1-1/2 HHCS		
25	93500352008			
26	93900107502	1/4-20 X 3/4 CARR. BOLT		
27	93500353021	ADVANCEMENT MICRO BRACKET		
28	93400593041	SRZ NEUTRAL SWITCH		
29	93900642024	HANDLE RH W/GRIP		
30	93900523032	HANDLE GRIP(RIDER)		
31	93900523033	HANDLE PLUG		
32	93900109001	5/16-18 WHIZLOCK NUT		



#

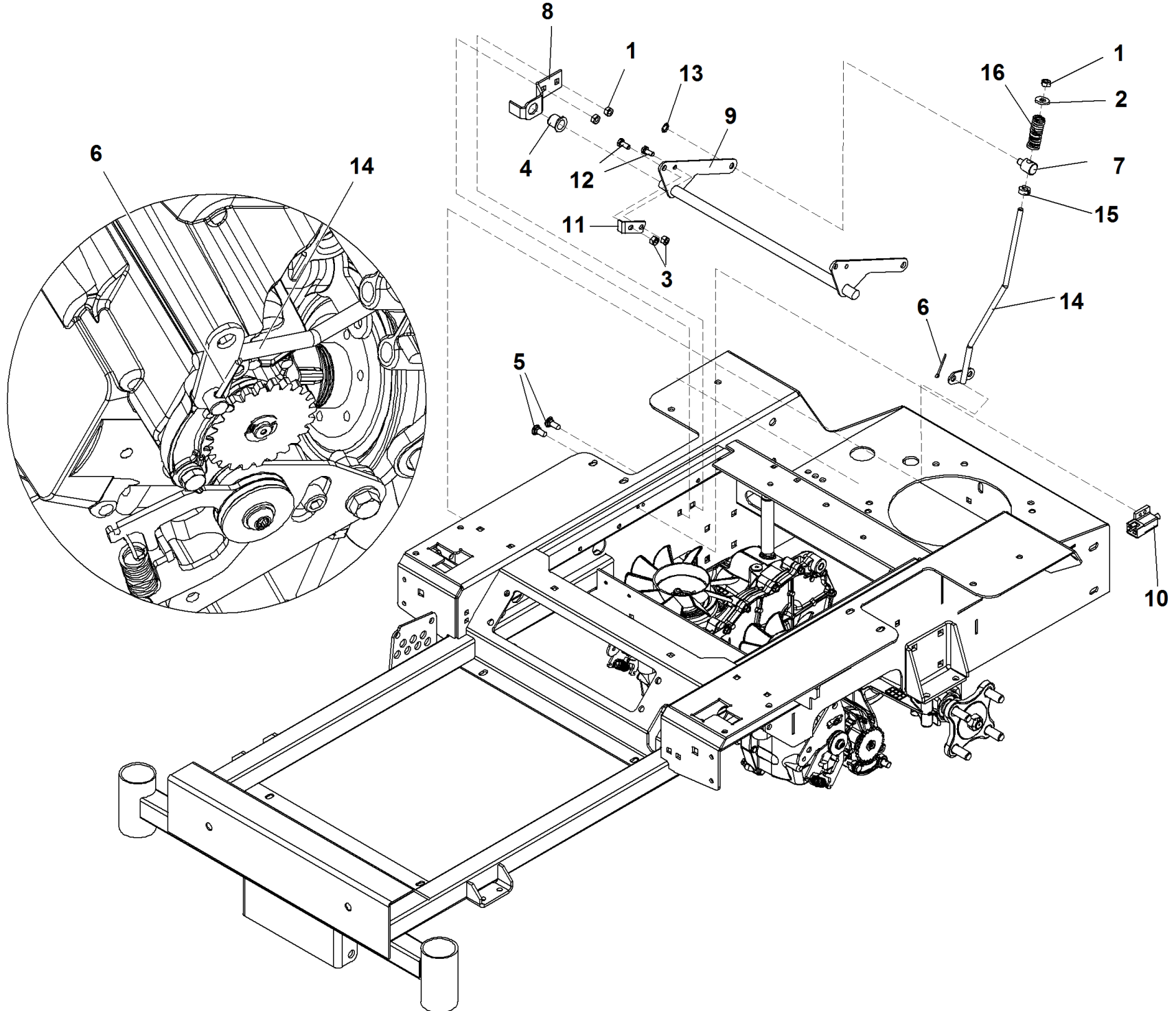
P/N

DESCRIPTION

SRZ 151

REF. 07-00555992307

1	93500353018	"BUSHING 3/4""		
2	93500353024	ADVANCEMENT SPACER		
3	93900100274	SCREW 5/16-18 X 1-1/4 HHTB		
4	93900105257	5/16 SAE FLAT WASHER		
5	93900104256	5/16-18 HEX NYLOC NUT		
6	93500623095	"RIGHT EYELET 5/16""		
7	93900453081	.312 ROD END (F)		
8	93500353093			
9	93900104752	5/16-24 HEX JAM NUT		
10	93900109015	1/4-20 NUT CLIP		
11	93900100252	SCREW 1/4-20 X 3/4 HHCS		
12	93900105004	1/4 LOCKWASHER-HEAVY		
13	93500107520	SCREW 5/16-18 X 1-3/4		
14	93500353151	STUD BOLT 5/16- 18		
15	93900105258	5/16 STD FLAT WASHER		
16	93500353143			
17	93900104255	1/4-20 HEX NYLOC NUT		
18	93500105255	"WASHER SAE 1/4""		
19	93900823221	10MM BALL STUD		
20	93900583415	DAMPENER/CONTROL		
21	93900104257	3/8-16 HEX NYLOC NUT		
22	93900100294	SCREW 3/8-16 X 1-1/2 HHCS		
23	93500352008			
24	93900107502	1/4-20 X 3/4 CARR. BOLT		
25	93500353021	ADVANCEMENT MICRO BRACKET		
26	93400593041	SRZ NEUTRAL SWITCH		
27	93900109001	5/16-18 WHIZLOCK NUT		
28	93500352006			
29	93500643079			
30	93900642025	HANDLE LH W/GRIP		
31	93900523033	HANDLE PLUG		
32	93900523032	HANDLE GRIP(RIDER)		



#

P/N

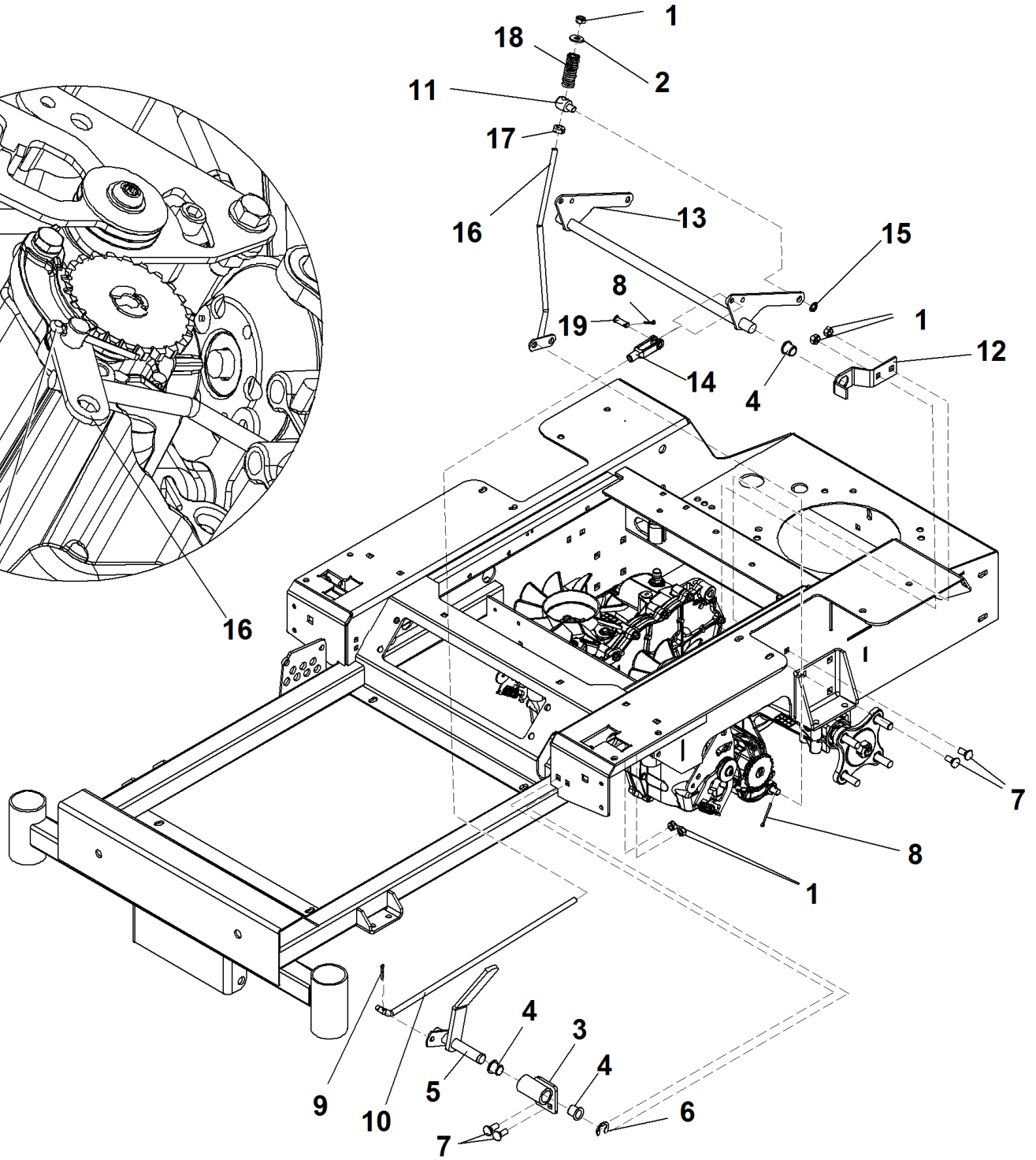
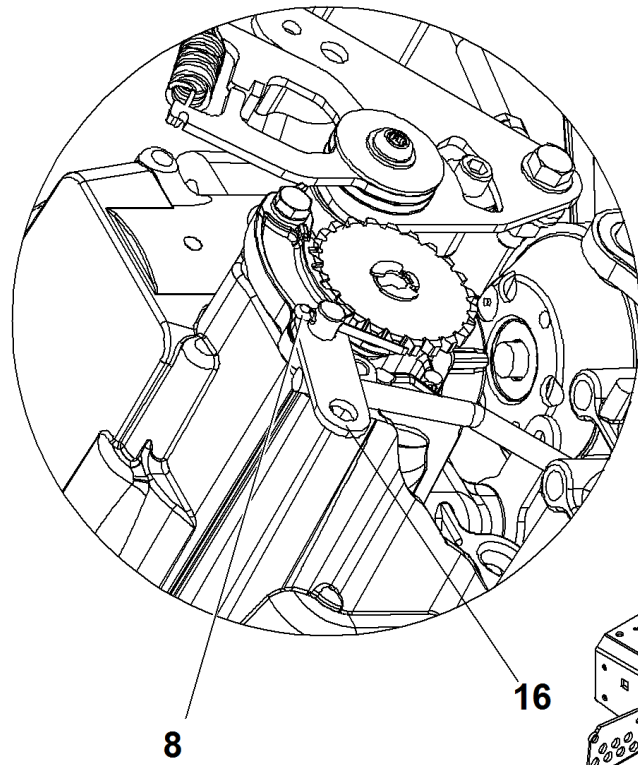
DESCRIPTION

SRZ 151

REF. 08-00555992308

1	93900104256	5/16-18 HEX NYLOC NUT
2	93900105258	5/16 STD FLAT WASHER
3	93900104255	1/4-20 HEX NYLOC NUT
4	93500353057	"5/8"" FLANGE BUSHING"
5	93900107503	5/16-18 X 3/4 CARR. BOLT
6	93900106763	1/8 X 1-1/4 COTTER PIN
7	93900423130	PARK BRAKE SWIVEL
8	93500353059	
9	93500352020	
10	93100523034	SRZ PARK BRAKE SWITCH
11	93500353073	BRAKE MICRO ACTUATOR
12	93500100251	SCREW 1/4-20 X 5/8 HHCS
13	93900363177	3/8 PUSH NUT
14	93500352042	
15	93900523112	"5/16"" CLAMP COLLAR"
16	93900523024	DECK DRIVE SPRING

SRZ 151



#

P/N

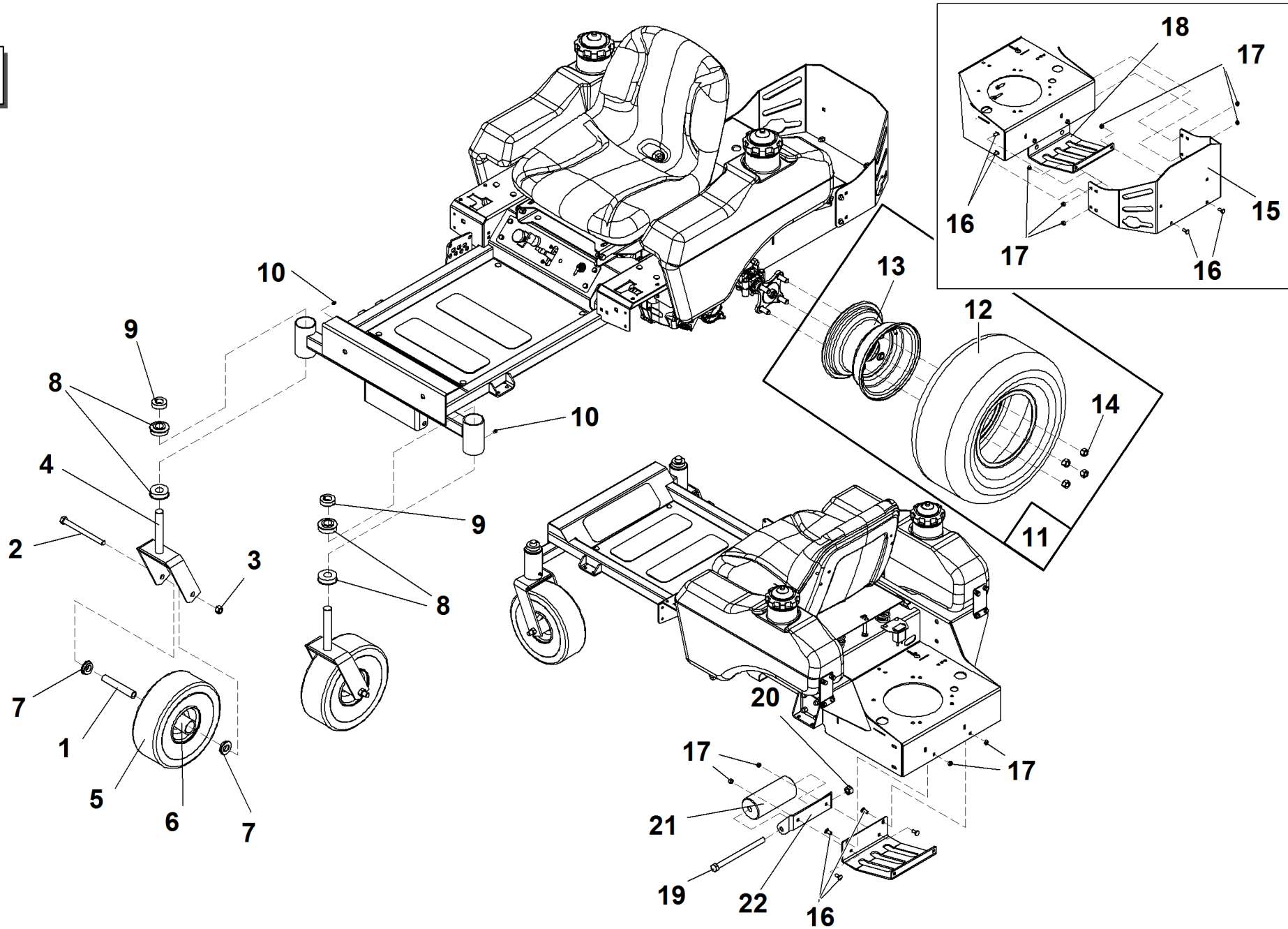
DESCRIPTION

SRZ 151

REF. 09-00555992309

1	93900104256	5/16-18 HEX NYLOC NUT
2	93900105258	5/16 STD FLAT WASHER
3	93500352024	
4	93500353057	"5/8"" FLANGE BUSHING"
5	93500352022	
6	93900108500	E-RING 5/8 DIA.
7	93900107503	5/16-18 X 3/4 CARR. BOLT
8	93900106763	1/8 X 1-1/4 COTTER PIN
9	93900106753	3/32 X 3/4 COTTER PIN
10	93500353071	
11	93900423130	PARK BRAKE SWIVEL
12	93500353059	
13	93500352020	
14	93500363152	BRIDLE 5/16-24
15	93900363177	3/8 PUSH NUT
16	93500352042	
17	93900523112	"5/16"" CLAMP COLLAR"
18	93900523024	DECK DRIVE SPRING
19	93500363144	"PIN 5/16""

SRZ 151



#

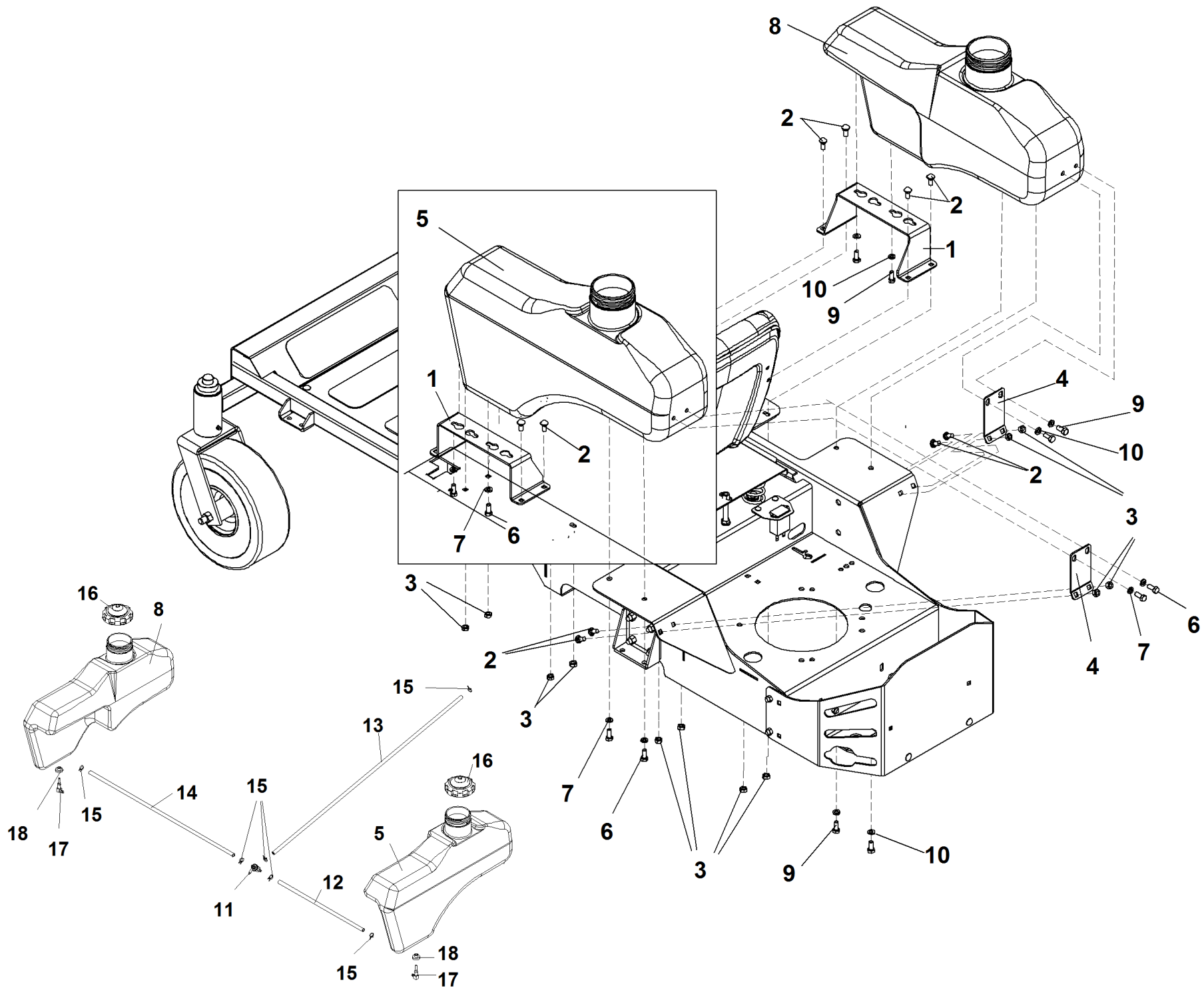
P/N

DESCRIPTION

SRZ 151

REF. 10-00555992310

1	93900363307	AXLE TUBE
2	93900100339	SCREW 1/2-13 X 6 HHCS
3	93900104259	1/2-13 HEX NYLOC NUT
4	93500422016	FRONT WHEEL FORK
5	93100363260	FRONT TIRE 4.10/3.50-4
6	93100363311	SRZ150 FRONT CASTER COMPL.
7	93100423201	BEARING RETAINER
8	93900423109	7/8 FLANGE BEARINGS
9	93900423071	7/8 CLAMP COLLAR
10	93900111001	1/8 NPT STRAIGHT ZERK
11	93500353126	
12	93500353148	REAR WHEEL PNEUMATIC 18X9.5X8
13	93500353149	
14	93900103023	1/2-20 X 60 T LUG NUT
15	93500353075	
16	93900107503	5/16-18 X 3/4 CARR. BOLT
17	93900104256	5/16-18 HEX NYLOC NUT
18	93500353100	
19	93900100351	SCREW 5/8-11 X 8-1/2 HHCS
20	93900104261	5/8-11 HEX NYLOC NUT
21	93900603023	ANTI SCALP ROLLER
22	93500353145	



#

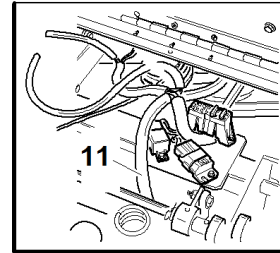
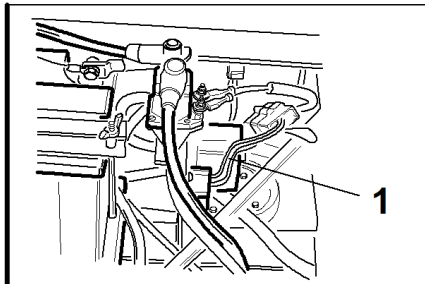
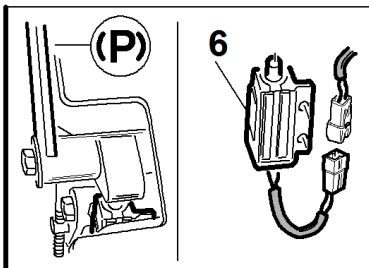
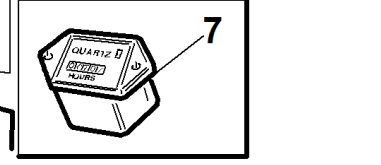
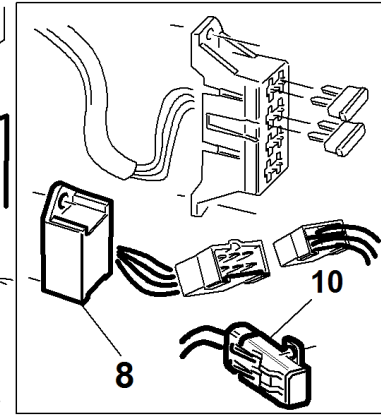
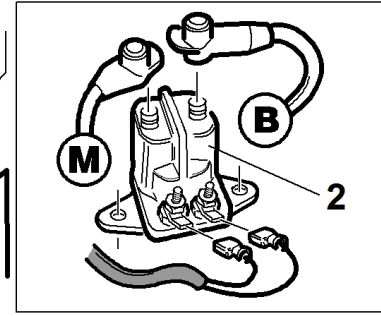
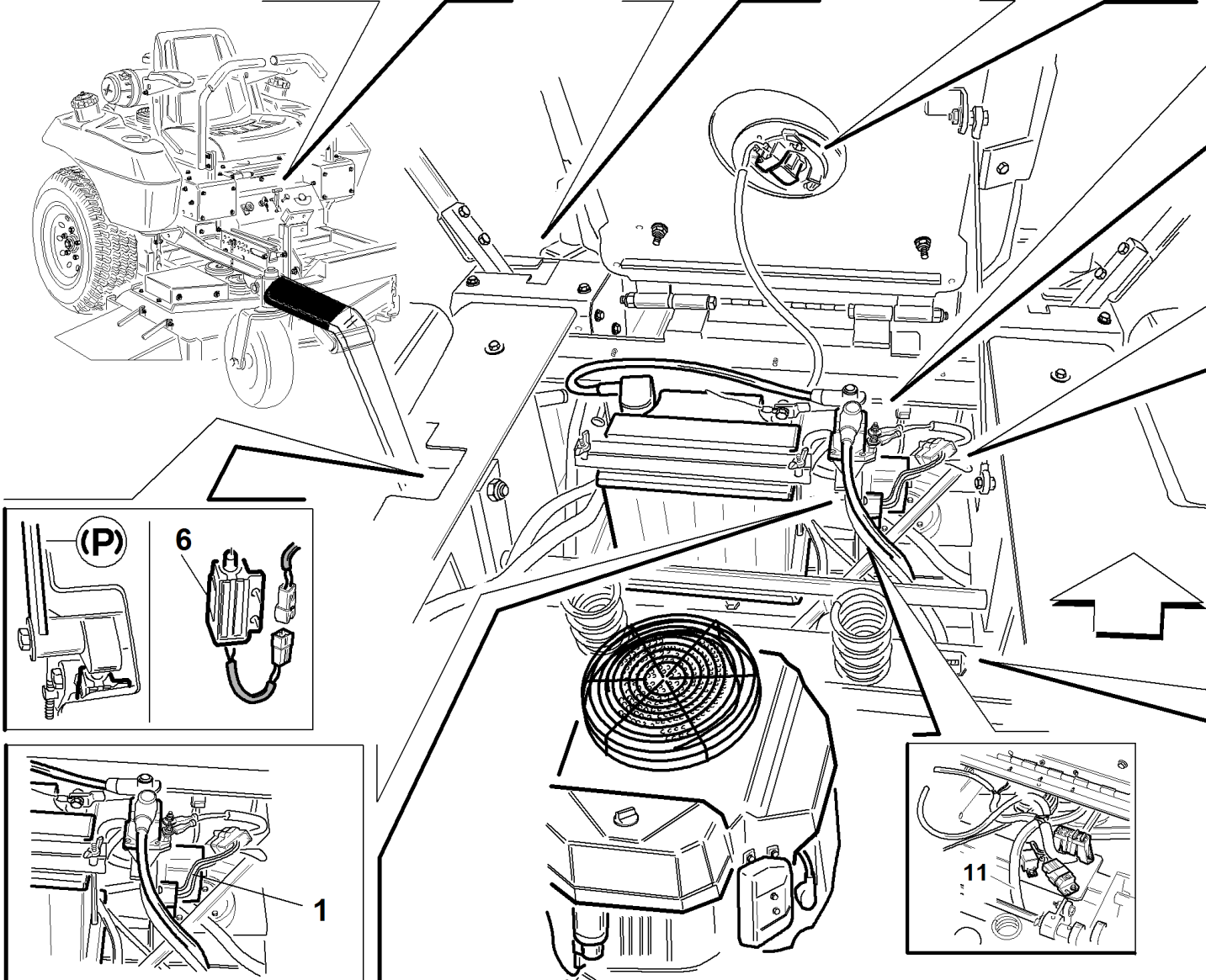
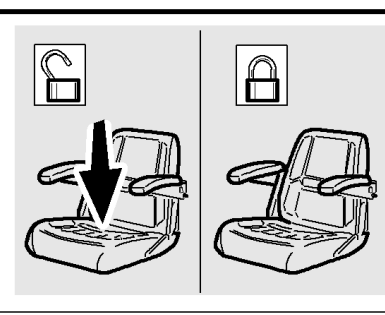
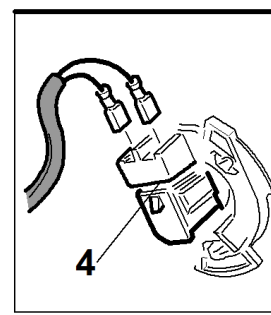
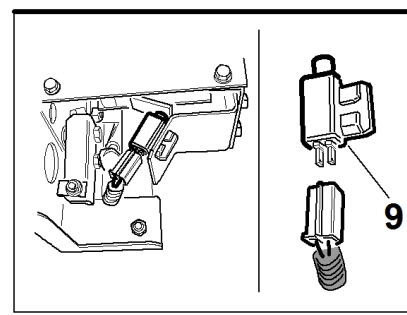
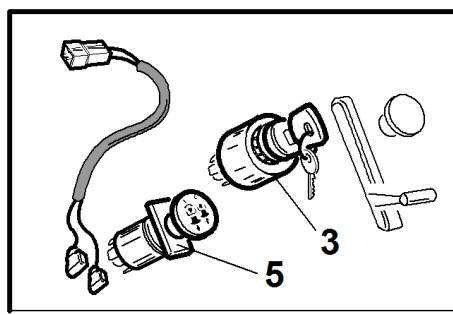
P/N

DESCRIPTION

SRZ 151

REF. 11-00555992311

1	93500353067	
2	93900107503	5/16-18 X 3/4 CARR. BOLT
3	93900104256	5/16-18 HEX NYLOC NUT
4	93500353085	TANK REAR SUPPORT
5	93500644021	
6	93900100271	SCREW 5/16-18 X 3/4 HHCS
7	93900105005	5/16 LOCKWASHER-HEAVY
8	93500644022	
9	93900100271	SCREW 5/16-18 X 3/4 HHCS
10	93900105005	5/16 LOCKWASHER-HEAVY
11	93200583050	FUEL VALVE
12	93900363099	LONG FUEL LINE
13	93900583185	FUEL LINE RH
14	93500823315	
15	93900363098	GAS LINE CLAMP
16	93100823179	FUEL CAP - SRZ
17	93900583183	FUEL TANK ADAPTER
18	93900533125	VALVE GROMMET



#

P/N

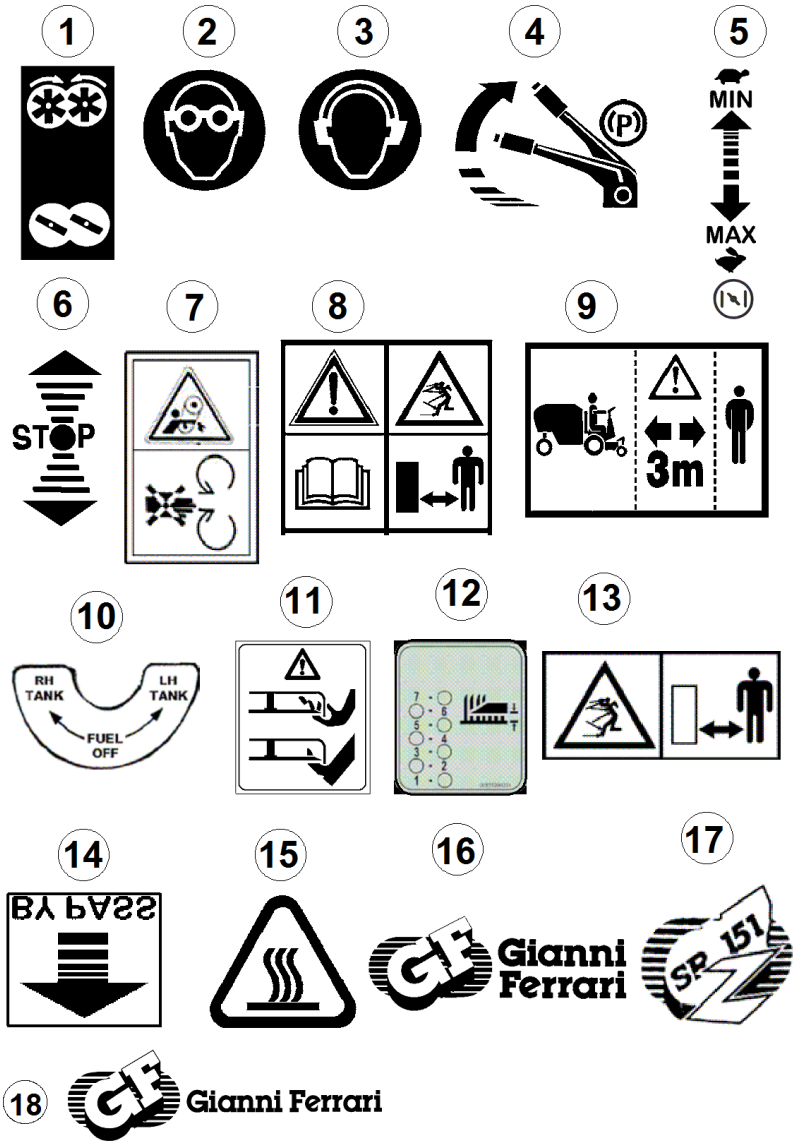
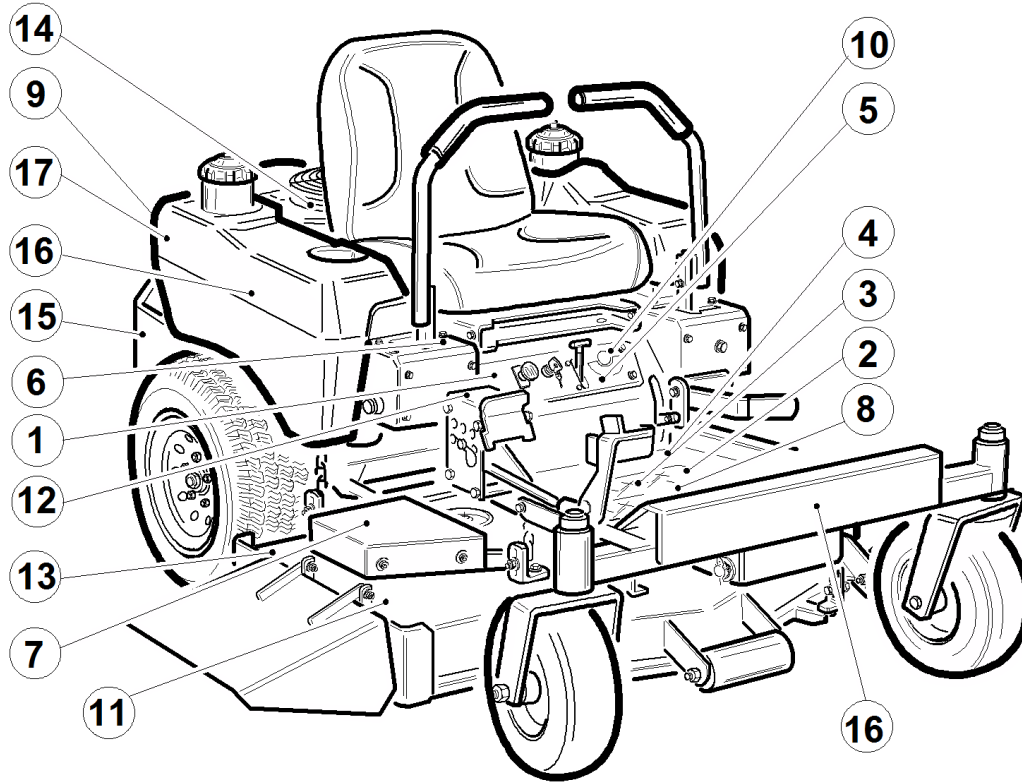
DESCRIPTION

SRZ 151

REF. 12-00555992312

1	93500353180	WIRE HARNESS SRZ151
2	93100422150	SRZ STARTER RELAY
3	93100423027	SRZ IGNITION SWITCH
4	93100523283	SRZ HOUR METER
5	93100523031	SRZ PTO SWITCH
6	00777800223	FULL HOPPER MICRO SWITCH
7	93100523283	SRZ HOUR METER
8	93900583351	ELECTRIC LIFT RELAY
9	93400593041	SRZ NEUTRAL SWITCH
10	93100583423	SRZ TIME DELAY MODULE
11	93500353132	

SRZ 151



#

P/N

DESCRIPTION

SRZ 151

REF. 13-00555992313

1	00555200006	TRANSFER PRINTING
2	00555200129	TRANSFER PRINT.HEARING PROTEC.
3	00555200130	TRANSFER PRINTING EYE PROTECTION
4	00555200128	TRANSFER PRINTING BRAKE
5	00555200137	TRANSFER PRINTING
6	00555200222	TRANSFER PRINTING
7	00555200180	"DANGER" STICKER
8	00555200143	DANGER TRANSFER PRINTING
9	00555200018	TRANF. KEEP AWAY
10	93900583023	SRZ170/190 LABEL FUEL VALVE
11	00555200029	TRANSFER PRINTING
12	00555200221	TRANSFER PRINT.CUTTING HEIGHT
13	00555200176	TRANSFER PRINTING "OBJECT PROJECTING"
14	00555200141	TRANSFER PRINTING
15	00555200142	TRANSFER PRINTING
16	00555200165	YELLOW GIANNI FERRARI TRANSF. PRINTING
17	00555200224	TRANSFER PRINTING SRZ 150
18	00555200185	TRANSFER PRINTING

www.gianniferrari.com

Advanced Groundcare Solutions™

**COMPANY WITH QUALITY
MANAGEMENT SYSTEM CERTIFIED BY DNV
= UNI EN ISO 9001:2008 =**



**Gianni
Ferrari**

GIANNI FERRARI S.r.l.

Via Vespucci ,53 (z.ind. Ranaro)
42046 Reggiolo (Reggio Emilia) Italy
Tel. +39.0522.973697 - Fax +39.0522.973707
e-mail: info@gianniferrari.com



OFFICINE BIEFFEBI S.p.A.

Via dell'Artigianato ,7
46023 Gonzaga (Mantova) Italy
Tel. +39.0376.52641 - Fax +39.0376.588270
e-mail: bieffebi@gianniferrari.com